



A **SINGULAR** INTRALOGISTICS ENGINEERING

WE HANDLE YOUR SUCCESS

ENG



**— We handle
your success.**

Advanced engineering. Research. Innovation. Customized and flexible solutions. Specialization. Guarantee service. What is all this effort really for? It is to manage your products, manage information 4.0 and thus offer intralogistics processes that are 100% efficient and profitable. But that is not the true purpose. It is only the means to achieve another more specific, deeper and more real goal: your satisfaction. That is what we work for at ULMA Handling Systems. So that you can feel us close to you. To make sure you are successful.

01.

— **A singular engineering 4**

The harmonious control of intralogistics.

A singular style.

A unique team to synchronize excellence.

Over 35 years of creative engineering.

02.

— **Singular solutions 12**

Integral intralogistics solutions.

Baggage handling solutions.

03.

— **ULMA for U. 22**

ULMA for U. Services for you.

04.

— **Always near you 30**

Always near you.

05.

— **Caring for the future 32**

People and sustainability.

Industry 4.0: the future of industry.

01

A singular
engineering

The harm control of ir



monius ntralogistics.

Our **intralogistics engineering** solutions harmoniously and globally connect all aspects of a project.

There is great harmony in order, in the precision of actions, in total organization of the different factors or agents that play a part in a process. Control makes the complex simple, chaos predictable and variables exact.

And that is the basic principle of the intralogistics solutions of ULMA Handling Systems. The foundation that inspires our way of working and drives us to create unique intralogistics engineering solutions for our customers.

Control is intelligence and also creativity; innovations arise from total control over what you do. And it is confidence. Confidence in meeting deadlines. And everything working as expected.

That's what we do at ULMA Handling Systems. For you.

A SINGULAR STYLE

A singular style, where our creative and intelligent mind provides the inspiration to create the best solutions.

And a unique team, implementing offering customized and your intralogistics processes profitable.

The power of engineering
For customers looking solutions.

—We handle your success.

attitude is our expression:
minds, and technological
singular intralogistics

licated and committed to
flexible solutions so that
es are 100% efficient and

+ the vision of creativity.
for effective avant-garde

— A unique team to synchronize excellence.

When all the parts work with mathematical precision and coordination, without dissonance, the logistics are well tuned. That's why we collaborate with the best.

Singular team.

To offer unique solutions we need singular people. Our team of more than 400 professionals has the experience, know-how and that little bit extra.

Behind the engineering, innovation and technological efficiency of ULMA Handling Systems, there are people: a multidisciplinary team of professionals, specializing in the different phases of the process that will analyse your intralogistics needs in detail, will give you comprehensive advice and will offer you a personalized, advanced and totally effective intralogistics solution. These are close collaborators, technological partners, people committed to your company. Singular people who seek the same goals as you. Your success.

At ULMA Handling Systems we are also a cooperative and competitive organization, in which we have a share in the ownership, management and results, in our search for maximum efficiency.





DAIFUKU

Union of synergies.

At ULMA Handling Systems we develop our activity as integral intralogistics engineering and offer perfectly tuned logistics technology that ensures our customers' success. And for this, we have the permanent collaboration of the world leader in the sector, DAIFUKU. This alliance has led to the

exchange of knowledge, experiences, equipment and systems, including the whole range of automation products for Automated Manufacturing and Distribution (AM/AD) and Baggage Handling solutions.

— Over 35 years of creative engineering.



A long career is the result of constant commitment to our customers and innovation over time. This is how we have evolved. This is how we plan ahead for the **intralogistics systems of the future.**

1984



The former company OINAKAR signed an agreement with the Japanese company DAIFUKU, world leader in the sector, giving rise to the current ULMA Handling Systems.

1990
1991



We developed the first automated installations and began to increase our customer base.

1997



We opened up to the international market by installing warehouses in Brazil, France and Italy.

2000
2004



We opened new branches and subsidiaries in France, Holland, Barcelona, Valencia...

2006



We inaugurated the new ULMA Handling Systems headquarters in Oñati.

2018



We signed a collaboration agreement with DAIFUKU-LOGAN to offer our customers high-end solutions in the Baggage Handling sector.

2014



We extended our network of collaborators in Chile, Brazil, Uruguay, Colombia, Peru, Russia, India, Indonesia...

2011

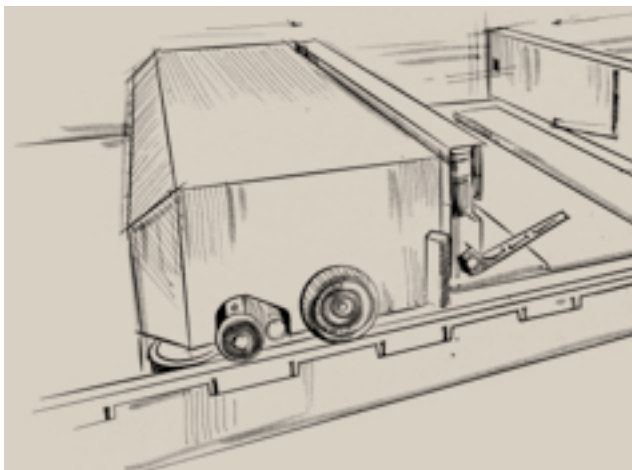
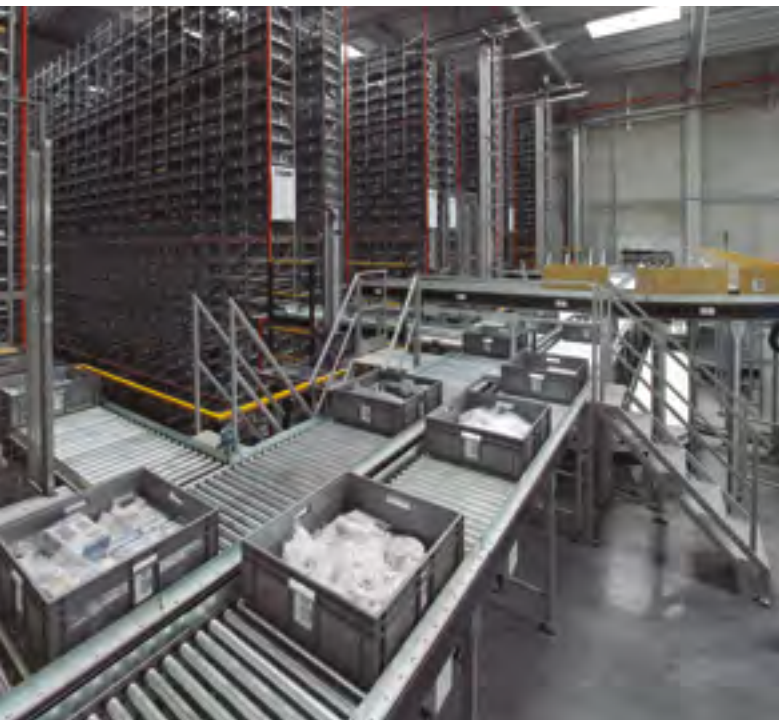


We set up a new 7,000m² production and innovation plant.

2008



We started with the Baggage Handling activity through the purchase of a leading national company in logistics projects for baggage handling.



— Creativity is thinking differently. Innovation is doing differently.

Immersed in our strategy of constant innovation, at ULMA Handling Systems we have a production and prototype centre that also houses a test tower and a show room area.

The project was created with the aim of offering added value to ULMA Handling Systems' production processes, reducing production costs and increasing profitability ratios.

At ULMA it is clear to us that the added value is in the data and in addition to moving robots and products, we move information, which is where we find the key factor to advancing in Industry 4.0.

At ULMA we are constantly evolving in anticipation of the logistics systems of the future. Innovation and personal and professional commitment to our customers are our guidance for the future.

02

Singular
solutions

— Singular
for singular



solutions for projects.

For those who know how to manage their future.

A long tradition in the design of ingenious solutions in the intralogistics sector is backed by the experience, knowledge and trust placed by more than 400 customers in Europe and Latin America.

Because we create what we believe in and believe in what we do: automated logistics solutions.

AUTOMATED LOGISTICS SOLUTIONS

01

Automated integral intralogistics solutions



02

Baggage handling solutions



01



— Integral intralogistics solutions

Picking and automated warehouse logistics solutions.

At ULMA Handling Systems we develop our activity as Comprehensive Engineering in Material Handling Systems through an extensive range of logistics solutions for automated warehouses and picking aimed at the field of Automated Manufacturing and Distribution.

We design and develop automated intralogistics solutions, where we manage the merchandise from the reception from production or suppliers, the transport, the automated warehouse system and order picking, to the dispatch.

We offer an integral service, from the design and planning of the logistics solution to after-sales service and reengineering, which we develop alongside the customer.

Our logistics automation systems are specially designed for picking and automated warehouse logistics solutions, and their operation allows us to maximize productivity ratios, reducing the number of movements, transport tasks and warehouse space.

We create reliable, efficient and sustainable turnkey solutions that meet the requirements of companies that focus on their future.





In collaboration with DAIFUKU we have a wide range of possibilities in high-end intelligent storage systems, such as Mini Load, pallet stacker crane, Shuttles, satellite stacker cranes, curved stacker cranes, synchronized systems, etc.

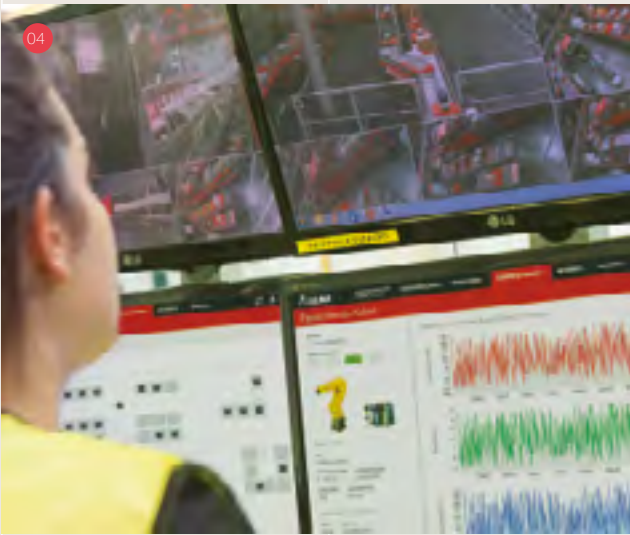
For cold and frozen environments, we develop automated warehouse logistics solutions that guarantee the controlled temperature to -40oC, allowing the ideal preservation of the product, improvement of working conditions, increased productivity in terms of speed of movement, computer management...

Our focus is on ensuring the accuracy and speed required for picking systems that meet customer requirements. Thus, technological innovation becomes the fundamental piece for the development of flexible and efficient systems, also guaranteeing the control of the whole process and the possibility of on-line processing of the information. We customize the best picking system for each customer, taking into account multiple factors, including the flow requirements (orders, lines,



units, packages...), product rotation, service conditions (suppliers/ customers), physical and environmental limitations, etc.

As for the technologies with the aim of minimizing tasks that do not add value and improve the productivity and efficiency of the system, we highlight the automated robot picking systems, Pick to Light systems, our robot IK-PAL or FSS/SQS systems among others.



- 01. Depalletizing robot
- 02. Sorting system
- 03. Automated box warehouse. Mini Load.
- 04. U-Mind Sentinel – Supervisor software screens
- 05. Automated pallet warehouse. Unit Load.
- 06. IK-PAL Robot. Multi-reference palletizing robot.
- 07. STV. Automated transport system.





02



— Baggage handling solutions

Integral baggage handling solutions.

We design and develop integral baggage handling systems backed by extensive industry experience and a wide range of modular products and solutions that meet the functional needs of any airport.

Our solutions are tailored to the specific needs of each customer. In addition, we have the collaboration of DAIFUKU LOGAN, allowing us to offer our services to small airports and recognized international airports.





We have integral logistics solutions covering the entire value chain, from a systemic design of the logistics process to the own development of check-in equipment, transport, inspection systems, warehousing and sorting systems.

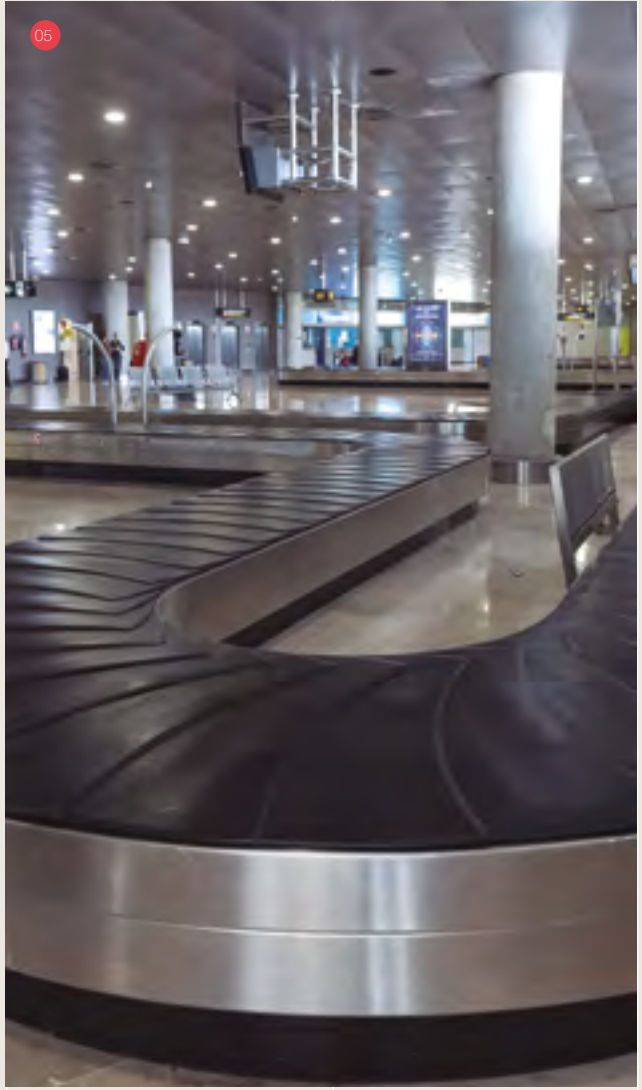
We have extensive experience in the Baggage Handling System sector and a wide range of modular products and solutions that meet the functional needs of any airport: check-in belts, conveyor belts, high-speed vertical diverters, horizontal diverters, horizontal pushers, roller tracks, flat/tilted make-up carousel, flat/tilted reclaim carousel, baggage sorter, automated warehouse, etc.

We have our own manufacturing of integrated CAD/CAM systems, laser sheet metal cutting system and automatic feeding, precision bending machines and numeric control machine-tools.

- 01. Check-in desks.
- 02. Horizontal carousel.
- 03. Check-in desks.
- 04. Tilted carousel.
- 05. Baggage reclaim area.
- 06. Horizontal carousel.
- 07. Valencia International Airport, Spain.



04



05



06

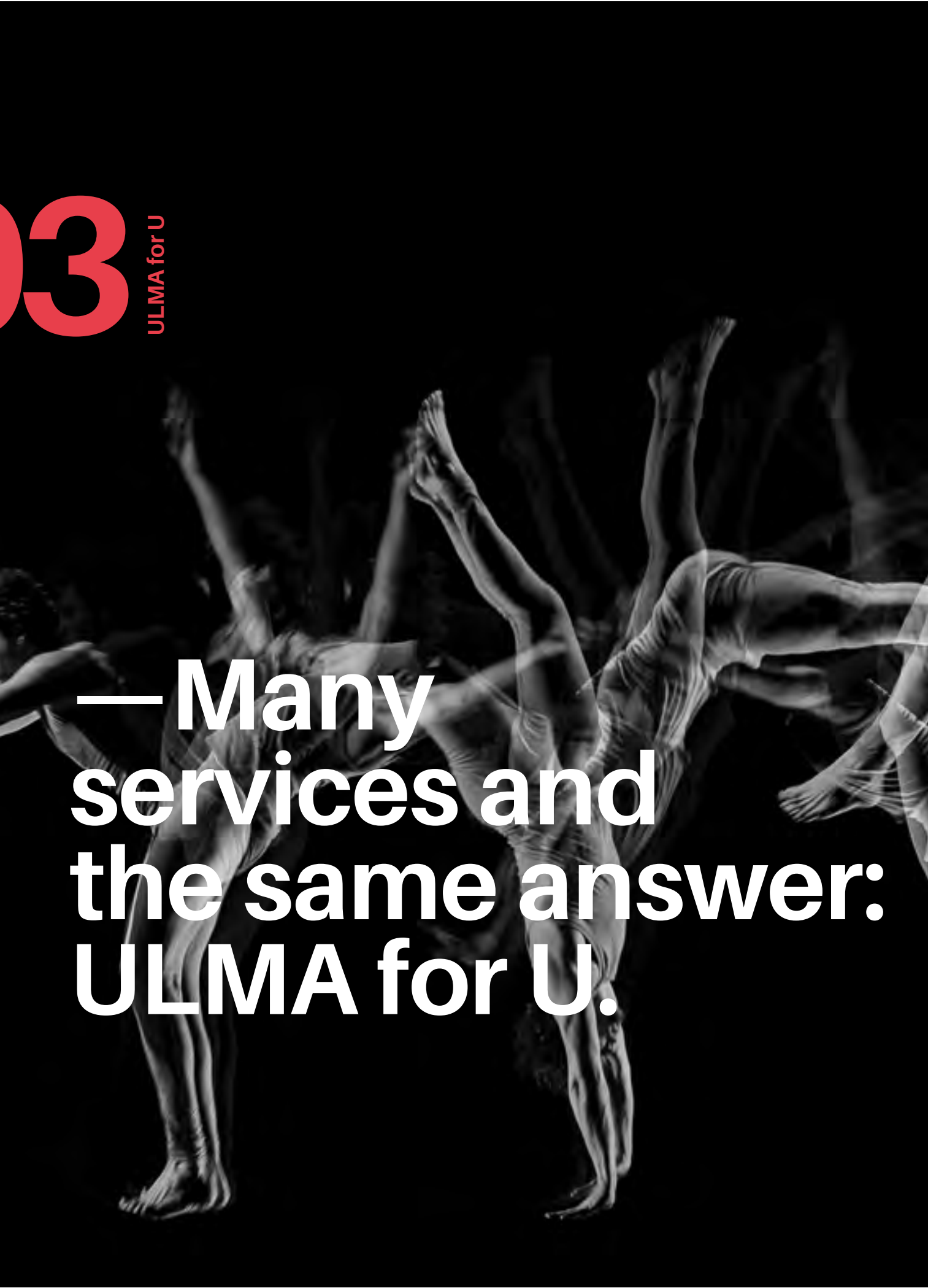


07



03

ULMA for U



— Many services and the same answer: ULMA for U.



We have a unique space for you, a space for you to receive our full attention and all our services. At ULMA, we feel we are part of you.

ULMA for U is the ultimate commitment to our customers' success. Our services range from customer service and conventional maintenance services to intelligent monitoring services that allow us to offer the customer a proactive response to possible changes.

The constant evolution of companies requires a reliable service, a service that adapts to your business' needs in the present and in the future.



—ULMA for U. Services for you.

Decades of experience in intralogistics solutions place us in a leading position when it comes to offering the best service that our customer needs.

ULMA Handling Systems gives you an answer in close collaboration with you and for you. For your success.

Intelligence 4.0 service

Technology to facilitate the automated operation life cycle

Thanks to existing technologies, the automated operations of ULMA Handling Systems can be active informers within the operation, ensuring that the installations take care of themselves.

Real-time monitoring

Real-time monitoring has been generated between our customers' installations and our service department. Thanks to this monitoring, at ULMA we are able to detect any anomaly or dysfunction from anywhere and at any time in order to offer you a fast and efficient response.

Adaptive evolution

In the same way that data is being captured automatically to guarantee assistance in the event of possible incidents, the data generated by the installation is also being stored and trends within it will be studied; to ensure it is the installation that proposes future modifications according to the needs it detects.



Consultancy



Planning and engineering

Maintenance service

Customer service

Software Suite

u·mind

u·mind WMS

Warehouse Management System. The brain of the entire logistics operation. Software designed from and for the user, capable of adapting to our customers' logistics challenges with intuitive, flexible and efficient functionalities. Because by their side we are transforming logistics management, we are transforming the future.

u·mind WCS

Warehouse Control Systems. The software that allows us to maximize the efficiency of the installations, improving the work balance so that all the equipment can perform to the maximum.

u·mind Sentinel

Everywhere and at all times, we have the current knowledge of the situation and status of each of the installations via the cloud, ensuring the quality and reliability of the logistics processes. In addition, we have the ability to anticipate any unforeseen events, making it easier to make suitable present and future decisions.

u·mind EAM

Enterprise Asset Management. The system that allows you to manage the maintenance of your installation in a simple and efficient way.



**Execution
of the project**

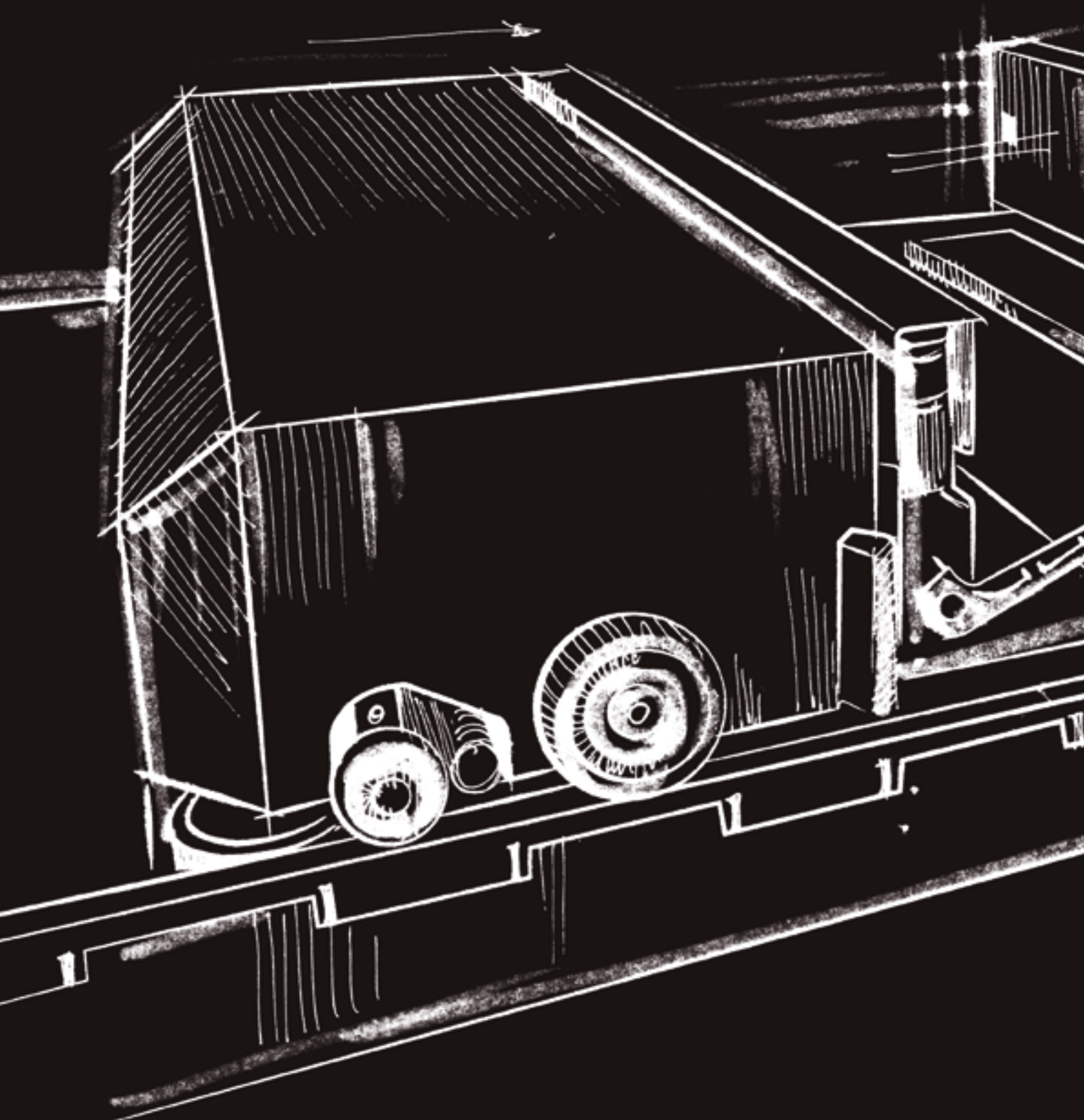
**ULMA
FOR U**

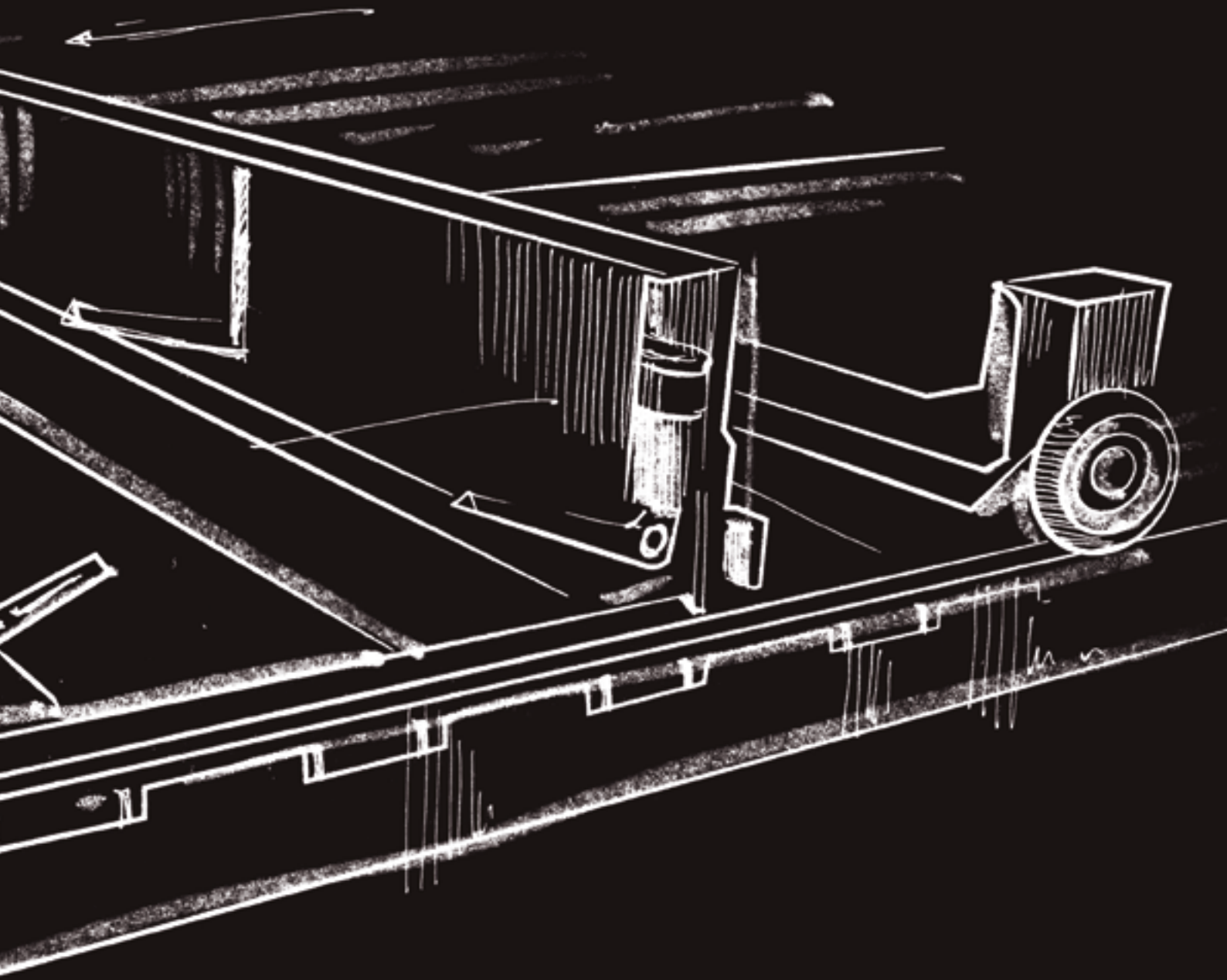
Training

Spares

ULMA for U is the ultimate commitment to our customers' success. For this we do what comes naturally to us: stay close, support, feel each need as our own, delve into the new technologies, manage the information and propose all the services that we ourselves would like.

**— We handle
your success.**





04

Always near you

— Always near you.

01

PRESENT IN
EUROPE AND
LATIN AMERICA

02

OVER 400
PROFESSIONALS

03

MORE THAN
35 YEARS OF
EXPERIENCE

04

SERVICE 24
HOURS A DAY 365
DAYS A YEAR

The vocation to be close to our customers has led us to be present worldwide, with a network of partners in Europe and Latin America.

The closeness to each country's reality, the experience of our team of experts and, above all, its commitment, helps us to continue opening new markets today.

Only then can we make a promise come true: ensuring our customers achieve maximum productivity. You can rely on us, wherever you are.

ULMA Handling Systems

HEADQUARTERS

Bº Garagaltza 50. Apdo. 67
20560 Onati (Gipuzkoa)
SPAIN

T. +34 943 782 492
F. +34 943 782 910
info@ulmahandling.com





Europe

Barcelona

Carrer Torrelló 20
08500 Vic (Barcelona) Spain
T. +34 93 2478 860

Madrid

Av. Europa 10
Edificio CEXCO oficina 2
28821 Madrid
(Madrid), Spain
T. +34 943 78 24 92

Valencia

Plaça Alqueria de la Culla
4 Planta 5, 46910 Alfafar
(Valencia) Spain
T. +34 961 50 45 82

France

11 Rue de Villeneuve
94150 Rungis
C.P. 40408
T. +33 (0) 1 89 11 70 21

America

Brasil

Rua José Getúlio 579 cj22
Aclimação São Paulo – SP
Cep 01509-001
T. +55 11 3711-5940
F. +55 11 2167-5284

Argentina

Montañeses 1910, 2º piso, Of. 13,
1428AQD Buenos Aires
(Argentina)
T. +5411 4781 5546





05

Caring for
the future

— Caring
the future



ring for uture.

Protecting people and taking care of our environment is our responsibility as a cooperative.

People.

At ULMA we want to contribute to creating a more prosperous, fairer and healthier society for current and future generations. Our human capital is our main asset and its health and safety are our priority interest. We combine our efforts to improve the work environment, focusing on very sensitive issues like people's health and physical integrity.

Sustainability.

We must harmonize economic success with social welfare and environmental sustainability. For that, we perform proactive management allowing environmental criteria to be integrated into the design and implementation of the project throughout its life cycle. In addition, we design equipment with recyclable materials that allow a high percentage of recovery.

Industry 4.0: the future of industry.

At ULMA Handling Systems we are immersed in the INDUSTRY 4.0 revolution, presented as the Industry of the Future, where the virtual world of information technology (IT), the physical world of machines and the Internet become one. In this sense, we develop various projects with an INDUSTRY 4.0 stamp aimed at the generation of Man-Machine collaborative environment systems or the development of analysis software capable of converting the large amount of data produced by smart warehouses into useful and valuable information for the correct decision making. The development of these projects allows us to monitor and interact in real time with our customers, obtaining significant advantages in productivity and efficiency of the logistics processes.

**— We handle
your success.**



B° Garagaltza 50. Apdo 67
20560 Oñati (Gipuzkoa)
SPAIN

T. +34 943 782 492
F. +34 943 782 910
info@ulmahandling.com

www.ulmahandling.com

